

JenieWell® Peristaltic Pump

재니웰 초정밀 연동 펌프



Digital TechPre Precision Pump Drive
Digital Precision Pump Drive
Digital Economy Pump Drive & Pump Head

BLDC 모터 정밀 제어
발열 억제 구동 방식
CE, EU 인증 획득

전체 주요 부품 국산화
유지 보수 비용 절감
신속한 A/S 대응

MADE IN KOREA



주식회사 디에이드

서울시 금천구 서부셋길 606, 대성디폴리스 B동 1010호

TEL 02-6953-9814 FAX 02-6958-9814

E-mail theaid@theaid.co.kr

Homepage www.theaid.co.kr



JWT Pump Drive Series

- **JWT600** 고급형 모델 : 고정밀 제어 0.000005 ~ 3400mL/min
- **JWTE600** 준고급형 모델 : 정밀 제어 0.006 ~ 3400mL/min
- **JWTC600** 보급형 모델 : RPM제어 0.006 ~ 3400mL/min

JWC / JWIV Pump Drive Series

- **JWCP100** 보급형 모델 : RPM 제어 0.2 ~ 380mL/min
- **JWCP600** 보급형 모델 : RPM 제어 3 ~ 2300mL/min
- **JWIV600**
JWEIV600 산업용 모델 : 고정밀 제어 0.06 ~ 17.5L/min

PUMP HEAD Series

- **JP-100, JP-101, JP-200, JP-300, JP-301** 0.0005 ~ 2300mL/min





FEATURES

- High reliability flow control
- Graphic LCD Display
- Compatibility various
- Convenient Calibration
- BLDC Motor, Reversible
- MOTION Control
- Overload Safety
- Clean Enclosure
- CE mark : EN61010-1, EN61326-1

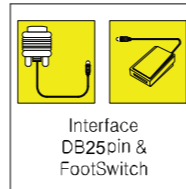
INTERNAL DRIVE CONTROL

- RPM : 0.01 ~ 600
- Flow rate : 0.000005 ~ 3400 mL/min
- Volume
- Dispenser (volume / copy / time)
- TM Volume
- SF Mode (Special Function)
- Calibration
- Direction
- Maximum Flow (PRIME)
- TIMER (on time / off time / copy)
- Anti Drop (0.1 ~ 99.9 cycle)
- START/STOP, AUTO START
- KEY Lock

REMOTE DRIVE CONTROL

- Start/Stop, CW/CCW, PRIME
- Speed Control IN / OUTPUT : 0 ~ 20mA, 0 ~ 10V proportion
- Motor Running (N/O, N/C Contact)
- Tach Output
- Warning Alarm (General Alarm)
- Motor Running Indicator
- Motor Running (N/O, N/C Contact)
- AUX 24V (+)
- RS485 Interface
- Foot Switch (Push / Toggle)

DIGITAL TechPre PRECISION DISPENSING DRIVE



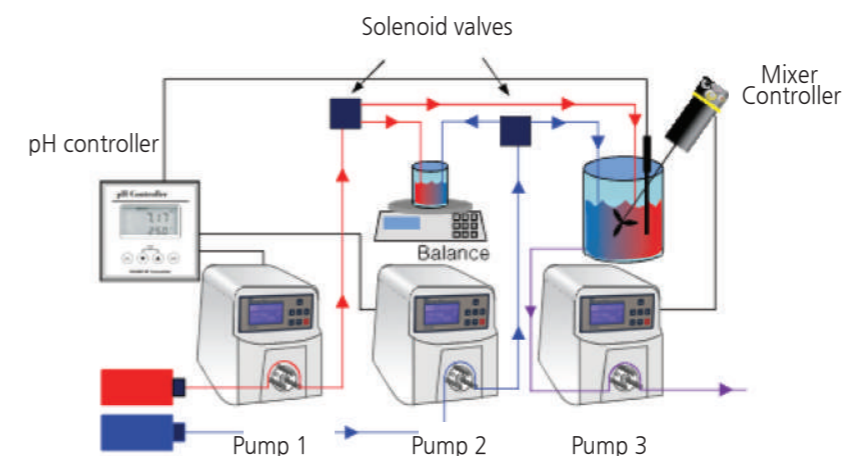
MODEL No. JWT600

Flow Rate (mL/min)

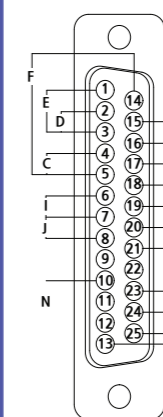
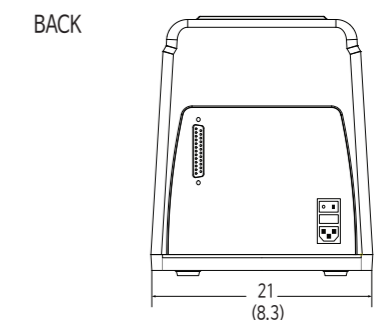
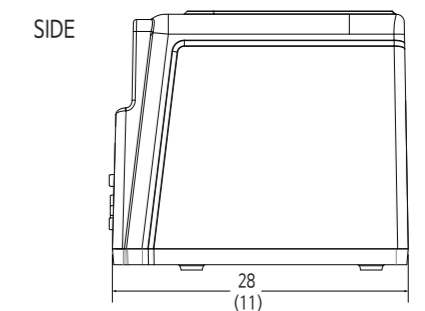
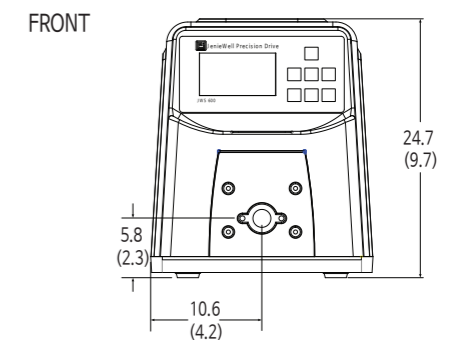
Tubing In diameter mm (inch)	0.8 (1/32")	1.59 (1/16")	3.18 (1/8")	4.76 (1/16")	6.35 (1/4")	7.9 (5/16")	4.76 (3/16")	6.35 (1/4")	7.9 (5/16")	9.53(3/8")
Tubing Wall Thickness	1.6 mm (1/16")						2.4 mm (3/32")			
Flow range (0.01 ~ 600 rpm)	0.0006 ~ 36	0.002 ~ 130	0.008 ~ 480	0.017 ~ 1000	0.028 ~ 1700	0.038 ~ 2300	0.017 ~ 1000	0.028 ~ 1700	0.038 ~ 2300	0.048 ~ 2900

SPECIFICATION

Description	JWT600
Flow range	0.000005 ~ 3400mL/min
RPM	0.01 ~ 600
Head accepted	4
Maximum torque	7.7 ~ 200 kg-cm
Reversible	Yes
External Input	0~20mA, 4~20mA, 0~10V, Start/Stop, CW/CCW, MAX Running, RS485
External Output	0~20mA, 4~20mA, 0~10V, Pulse, Motor Running, General Alarm, Remote Indicator, AUX 24V, RS485
Voltage	230V~, 50/60Hz
Current	1.0A at 230V
Fuse rating	T3.0 A / 250V
Motor type	BLDC
Motor size	100W
Display	160 x 80 Graphic LCD
Motor control	MOTION Control
Speed regulation	±0.1% Speed control
Electronic brake	Yes
Housing materials	ABS V0 Plastic Housing / Aluminum Painted
Certificated	CE mark : EU low voltage, EU EMC
Operating Temp.	0 ~ 40°C
Storage Temp.	-15 ~ 65°C
Dimensions	21(W)x28(L)x23.3(H) cm
Weight	6.6 kg



Dimension cm(inch)



- A. START / STOP
- B. CW/CCW
- C. OUTPUT 0 ~ 20mA, 4 ~ 20mA
- D. INPUT 0 ~ 20mA, 4 ~ 20mA
- E. INPUT 0 ~ 10V
- F. OUTPUT 0 ~ 10V
- G. TACH OUTPUT
- H. Maximum (PRIME)
- I. MOTOR RUNNING N/O. CONTACT
- J. MOTOR RUNNING N/C. CONTACT
- K. 24V (150mA max.)
- L. General Alarm
- M. Local Remote Indicator
- N. RS485 (10 TR)

High Accuracy

Reasonable Price

JenieWell TechPre Precision Pump Drive System



FEATURES

- High reliability flow control
- 16 x 2 Character LCD Display
- Compatibility various
- Convenient Calibration
- BLDC Motor, Reversible
- MOTION Control
- Overload Safety
- Clean Enclosure
- CE mark : EN61010-1, EN61326-1

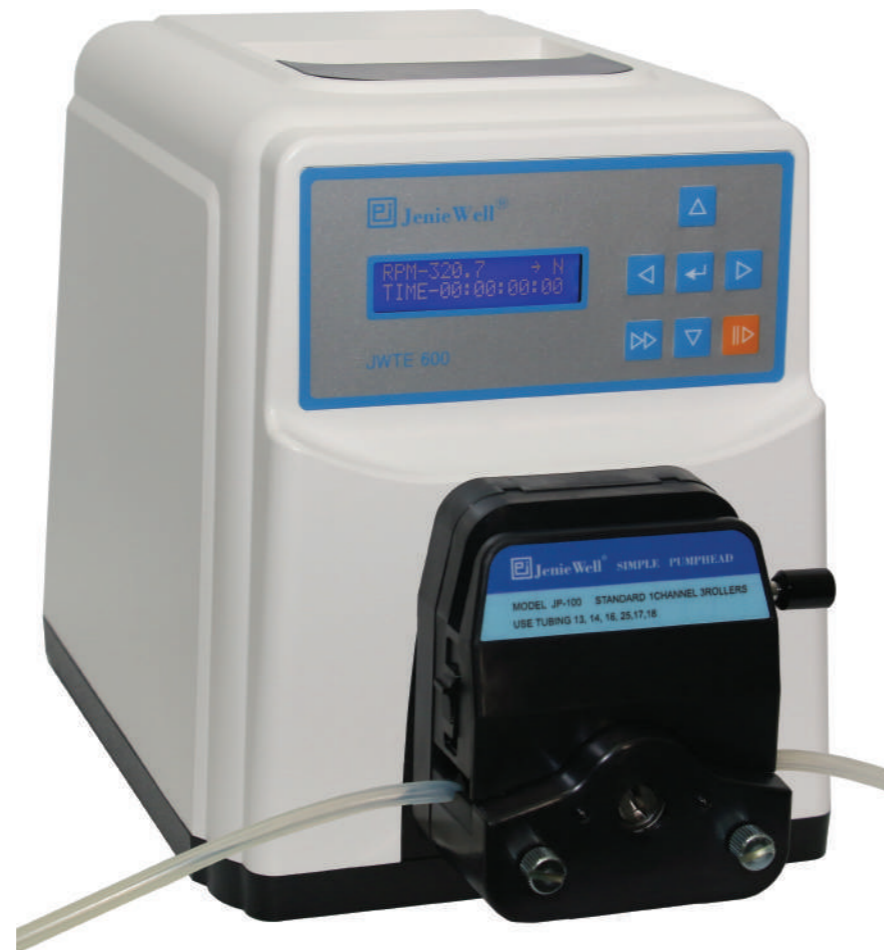
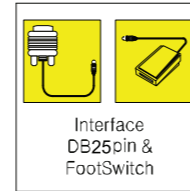
INTERNAL DRIVE CONTROL

- RPM : 0.1 ~ 600
- Flow rate : 0.006 ~ 3400 mL/min
- Volume
- Dispense (Volume/Copy/Time)
- Calibration
- Direction
- TIMER
- Maximum Flow (PRIME)
- Anti Drop (0.1 ~ 9.9 cycle)
- Start/Stop, Auto Start

REMOTE DRIVE CONTROL

- Start/Stop, CW/CCW, PRIME
- Speed Control IN / OUTPUT : 0 ~ 20mA, 0 ~ 10V proportion Motor Running (N/O, N/C Contact)
- Tach Output
- Warning Alarm (General Alarm)
- Motor Running Indicator
- Motor Running (N/O, N/C Contact)
- AUX 24V (+)
- RS485 Interface
- Foot Switch (Push / Toggle)

DIGITAL TechPre ECONOMY DISPENSING DRIVE



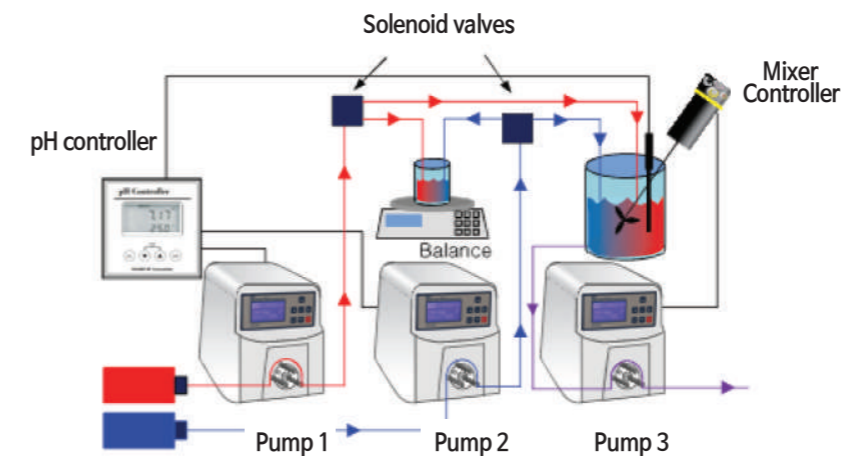
MODEL No. JWTE600

Flow Rate (mL/min)

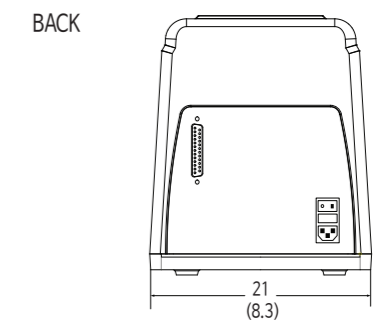
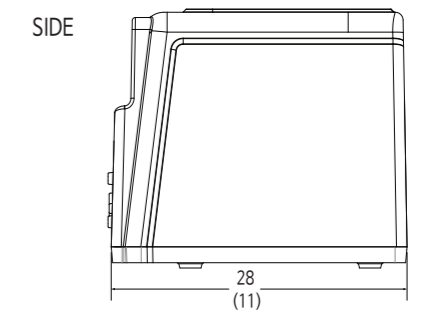
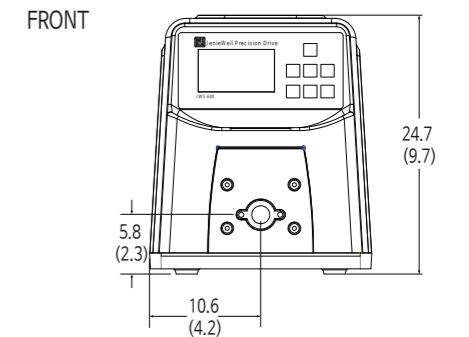
Tubing In diameter mm (inch)	0.8 (1/32")	1.59 (1/16")	3.18 (1/8")	4.76 (1/16")	6.35 (1/4")	7.9 (5/16")	4.76 (3/16")	6.35 (1/4")	7.9 (5/16")	9.53 (3/8")
Tubing Wall Thickness	1.6 mm (1/16")						2.4 mm (3/32")			
Flow range (0.1~ 600 rpm)	0.006 ~ 36	0.021 ~ 130	0.08 ~ 480	0.17 ~ 1000	0.28 ~ 1700	0.38 ~ 2300	0.17 ~ 1000	0.28 ~ 1700	0.38 ~ 2300	0.48 ~ 2900

SPECIFICATION

Description	JWTE600
Flow range	0,006 ~ 3400mL/min
RPM	0.1 ~ 600
Head accepted	2
Maximum torque	1.6 ~ 30 kg-cm
Reversible	Yes
External Input	0~20mA, 4~20mA, 0~10V, Start/Stop, CW/CCW, MAX Running, RS485
External Output	0~20mA, 4~20mA, 0~10V, Pulse, Motor Running, General Alarm, Remote Indicator, AUX 24V, RS485
Voltage	230V~, 50/60Hz
Current	1.0A at 230V
Fuse rating	T3.15 A / 250V
Motor type	BLDC
Motor size	60W
Display	16 x 2 Character LCD
Motor control	MOTION Control
Speed regulation	±0.1% Speed control
Electronic brake	Yes
Housing materials	ABS V0 Plastic Housing / Aluminum Painted
Certificated	CE mark : EU low voltage, EU EMC
Operating Temp.	0 ~ 40° C
Storage Temp.	-15 ~ 65° C
Dimensions	21 (W)x28 (L)x23.3 (H) cm
Weight	4.6 kg



Dimension cm (inch)



-
- A. START / STOP
 - B. CW/CCW
 - C. OUTPUT 0 ~ 20mA, 4 ~ 20mA
 - D. INPUT 0 ~ 20mA, 4 ~ 20mA
 - E. INPUT 0 ~ 10V
 - F. OUTPUT 0 ~ 10V
 - G. TACH OUTPUT
 - H. Maximum (Prime)
 - I. MOTOR RUNNING N/O. CONTACT
 - J. MOTOR RUNNING N/O. CONTACT
 - K. 24V (150mA max.)
 - L. General Alarm
 - M. Local Remote Indicator
 - N. RS485 (⑩TR)

High Accuracy

Reasonable Price

JenieWell TechPre Economy Pump Drive System



FEATURES

- High reliability flow control
- 7 Segment LED Display
- Compatibility various
- BLDC Motor, Reversible
- MOTION Control
- Overload Safety
- Clean Enclosure
- CE mark : EN61010-1, EN61326-1

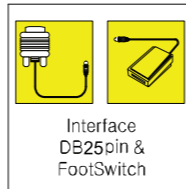
INTERNAL DRIVE CONTROL

- RPM : 0.1 ~ 600
- Flow rate : 0.006 ~ 3400 mL/min
- Direction
- Timer
- Anti Drop
- START/STOP, AUTO START

REMOTE DRIVE CONTROL

- Start/Stop, CW/CCW
- Speed Control IN : 4 ~ 20mA
- RS485 Interface
- Foot Switch

DIGITAL TechPre COMPACT DISPENSING DRIVE

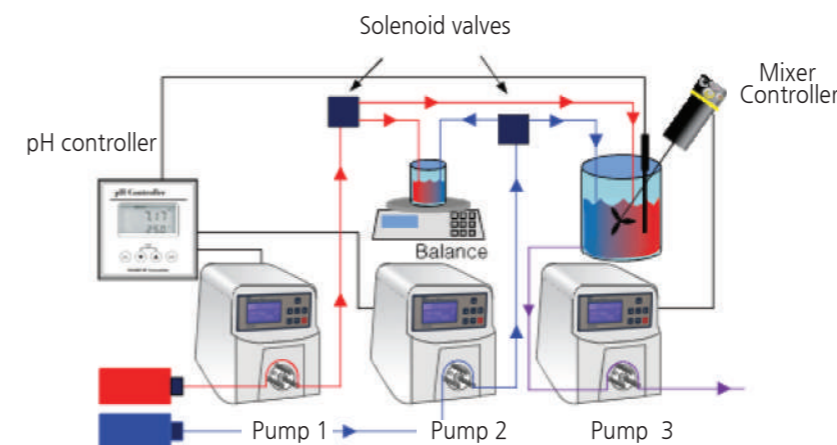
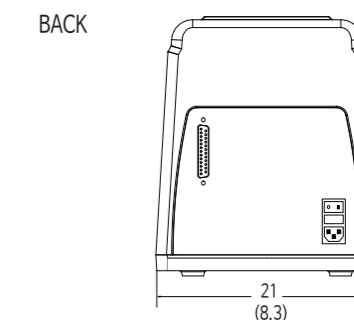
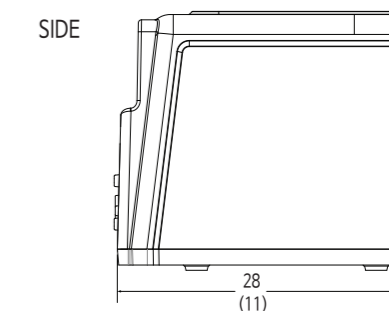
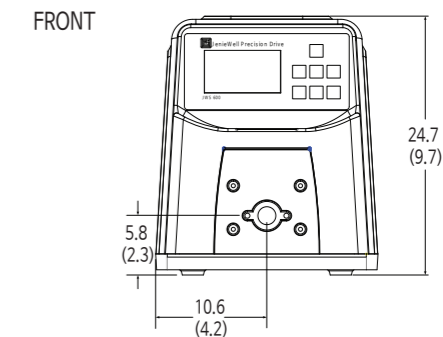


MODEL No. JWTC600

SPECIFICATION

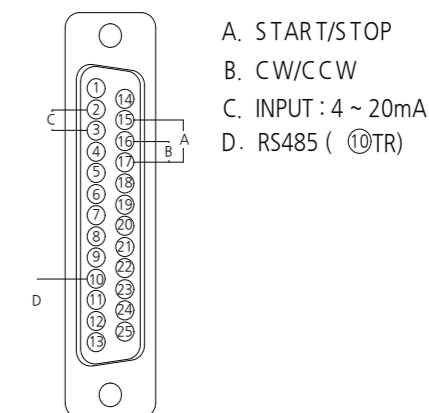
Description	JWTC600
Flow range	0.006 ~ 3400mL/min
RPM	0.1 ~ 600
Head accepted	2
Maximum torque	1.6 ~ 30 kg-cm
Reversible	Yes
External Input	4~20mA, CW/CCW, START/STOP, RS485
Voltage	230V~, 50/60Hz
Current	1.0A at 230V
Fuse rating	T3.0 A / 250V
Motor type	BLDC
Motor size	60W
Display	7 Segment LED
Motor control	MOTION Control
Speed regulation	±0.1% Speed control
Electronic brake	Yes
Housing materials	ABS V0 Plastic Housing / Aluminum Painted
Certificated	CE mark : EU low voltage, EU EMC
Operating Temp.	0 ~ 40°C
Storage Temp.	-15 ~ 65°C
Dimensions	21(W)x28(L)x23.3(H) cm
Weight	4.6 kg

Dimension cm(inch)



Flow Rate (mL/min)

Tubing In diameter mm (inch)	0.8 (1/32")	1.59 (1/16")	3.18 (1/8")	4.76 (1/16")	6.35 (1/4")	7.9 (5/16")	4.76 (3/16")	6.35 (1/4")	7.9 (5/16")	9.53(3/8")
Tubing Wall Thickness	1.6 mm (1/16")						2.4 mm (3/32")			
Flow range (0.1~ 600 rpm)	0.006 ~ 36	0.021~ 130	0.08~ 480	0.17~ 1000	0.28~ 1700	0.38 ~ 2300	0.18 ~ 1000	0.28~ 1700	0.38~ 2300	0.48~ 2900



JenieWell TechPre Compact Pump Drive System



FEATURES

- High reliability flow control
- 7 Segment LED
- Compatibility various
- BLDC Motor, Reversible
- PWM Control
- Painted Steel Enclosure

INTERNAL DRIVE CONTROL

- RPM : 2 ~ 100 / 50 ~ 600
- Flow rate : 0.2 ~ 2900 mL/min
- Direction
- Start / Stop
- Motor Rnning Indicator

REMOTE DRIVE CONTROL

- Foot Switch
- Start / Stop
- Auto Start

DIGITAL COMPACT DRIVE



Footswitch

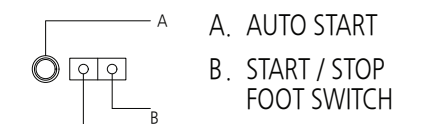
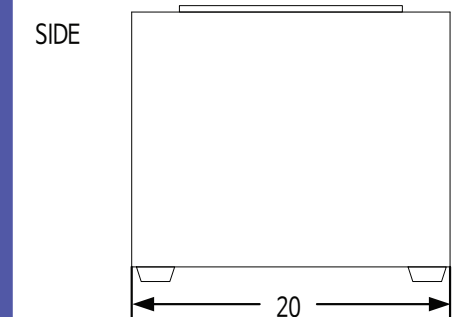
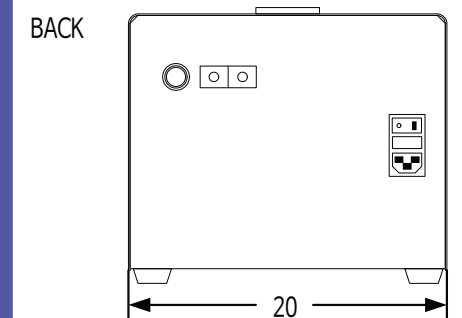
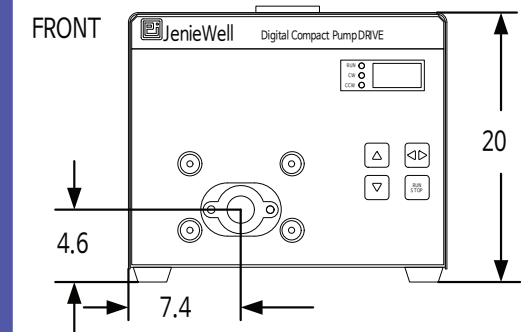


MODEL No. JWCP100, JWCP600

SPECIFICATION

Description	JWCP100	JWCP600
Flow range	0.2 ~ 380mL/min	3 ~ 2300mL/min
RPM	2 ~ 100	50 ~ 600
Head accepted	2	1
Maximum torque	0.6 ~ 30 kg-cm	
Reversible	Yes	
External Input	Start/Stop, CW/CCW, Auto Start, Foot Switch	
Voltage	230V~, 50/60Hz	
Current	1.0A at 230V	
Fuse rating	T3.0 A / 250V	
Motor type	BLDC	
Motor size	20W	
Display	7 Segment LED	
Motor control	PWM Control	
Speed regulation	±2% Speed control	
Housing materials	Painted steel	
Operating Temp.	0 ~ 40°C	
Storage Temp.	-15 ~ 65°C	
Dimensions	20(W)x20(L)x22(H) cm	
Weight	4 kg	

Dimension cm (inch)



Flow Rate (mL/min)

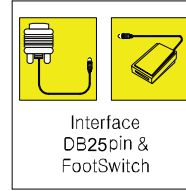
Tubing In diameter mm (inch)	0.8 (1/32")	1.59 (1/16")	3.18 (1/8")	4.76 (1/16")	6.35 (1/4")	7.9 (5/16")
Tubing Wall Thickness	1.6 mm (1/16")					
Flow range (10 ~ 600 rpm)	3 ~ 36	1.1 ~ 130	40 ~ 480	84 ~ 1000	142 ~ 1700	192 ~ 2300
Flow range (1.6 ~ 100 rpm)	0.2 ~ 6	0.4 ~ 21	1.6 ~ 80	3.4 ~ 170	5.6 ~ 280	7.6 ~ 380

- High Accuracy
- Reasonable Price

JenieWell Compact Pump Drive System



DIGITAL PRECISION INDUSTRIAL DRIVE



FEATURES

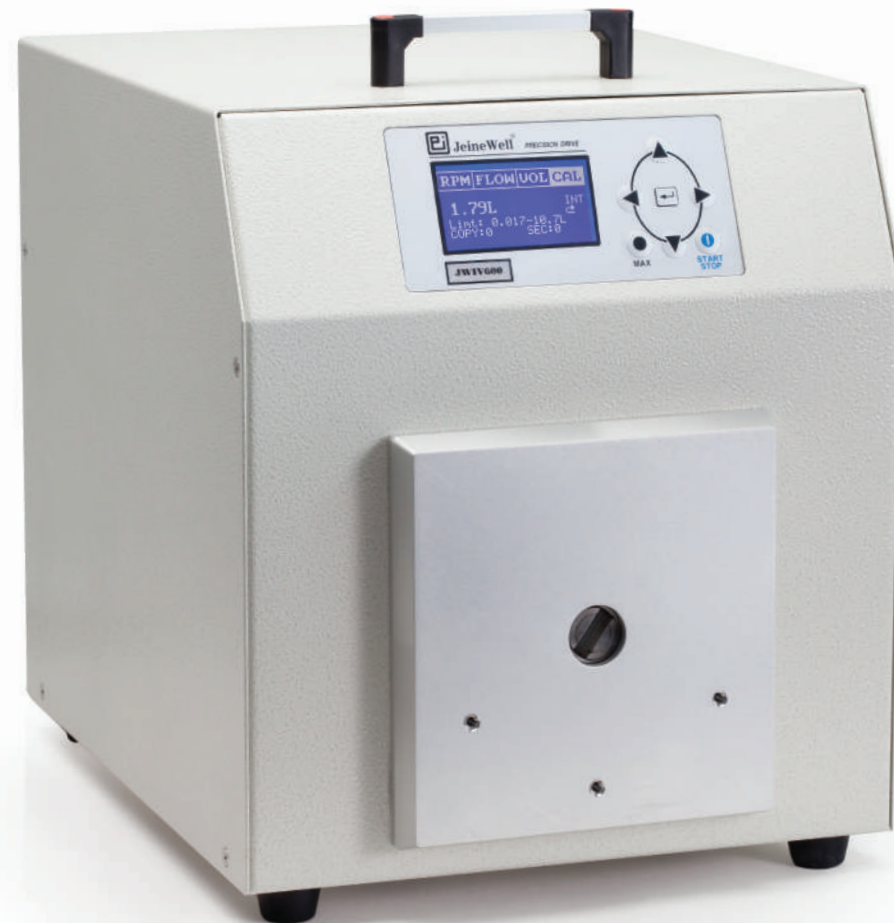
- High reliability flow control
- Graphic LCD Display
- Compatibility various
- Convenient Calibration
- BLDC Motor, Reversible
- PWM Control
- Overload Safety
- Clean Enclosure
- CE mark : EN61010-1, EN61326-1

INTERNAL DRIVE CONTROL

- RPM : 10 ~ 600
- Flow rate : 0.06 ~ 17.5 L/min
- Volume
- Dispense (volume / copy / time)
- Calibration
- Direction
- Maximum Flow (PRIME)
- Start/Stop

REMOTE DRIVE CONTROL

- Start/Stop, CW/CCW, PRIME
- Speed Control IN / OUTPUT : 0~20mA, 4~20mA , 0~10V
- Tach Output
- Warning Alarm (General Alarm)
- Motor Running Indicator
- Motor Running (N/O, N/C Contact)
- Foot Switch

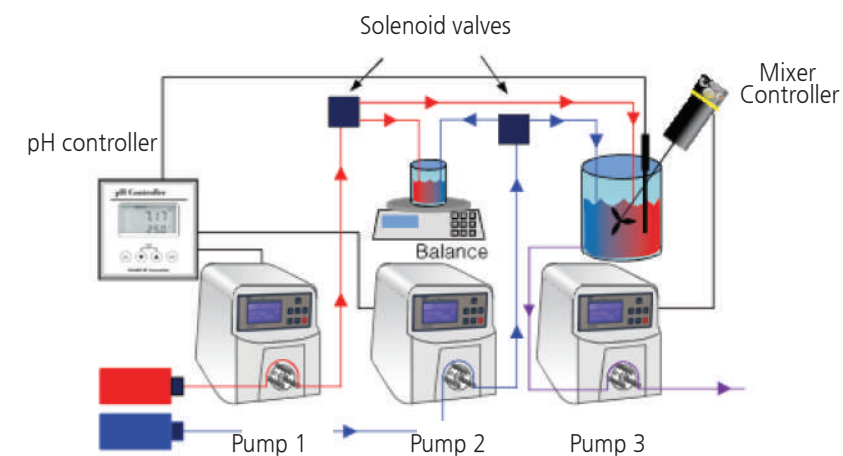
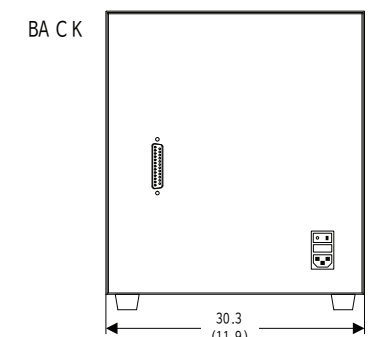
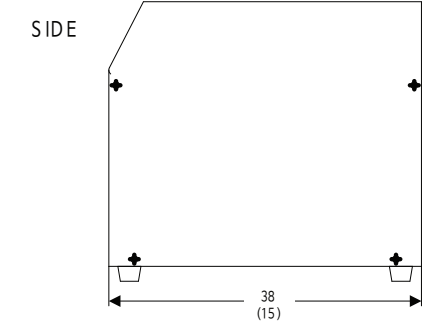
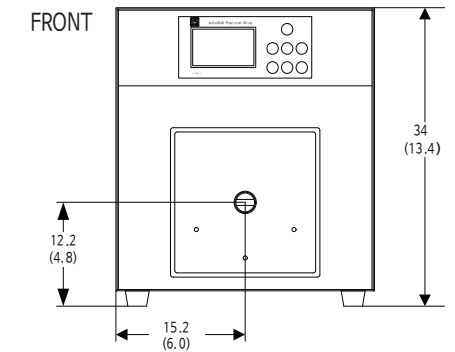


MODEL No. JWIV600, JWEIV600

SPECIFICATION

Description	JWIV600	JWEIV600
Flow range	0,006 ~ 17,5 L/min	
RPM	10 ~ 600	
Head accepted	2	
Maximum torque	18.7 ~ 300 kg-cm	
Reversible	Yes	
External Input	0~20mA, 4~20mA, 0~10V, Start/Stop CW/CCW, MAX Running	
External Output	0~20mA, 4~20mA, 0~10V, Pulse, General Alarm, Motor Running, RS232(option)	
Voltage	230V~, 50/60Hz	
Current	1.0A at 230V	
Fuse rating	T3.0 A / 250V	
Motor type	BLDC	
Motor size	200W	
Display	128 x 64 Graphic LCD	7 Segment LED
Motor control	PWM Control	
Speed regulation	±0.1% Speed control	
Electronic brake	Yes	
Housing materials	Painted steel Housing	
Certificated	CE mark : EU low voltage, EU EMC	
Operating Temp.	0 ~ 40°C	
Storage Temp.	-15 ~ 65°C	
Dimensions	35(W)x25.4(L)x38(H) cm	
Weight	8.2 kg	

Dimension cm (inch)



- A. START / STOP
- B. CW/CC W
- C. OUTPUT 0 ~ 20mA, 4 ~ 20mA
- D. INPUT 0 ~ 20mA, 4 ~ 20mA
- E. INPUT 0 ~ 10V
- F. OUTPUT 0 ~ 10V
- G. TACH OUTPUT
- H. Maximum (Prime)
- I. MOTOR RUNNING N/O. CONTACT
- J. MOTOR RUNNING N/O. CONTACT
- K. GENERAL ALARM

Flow Rate (L/min)

Tubing In diameter mm (inch)	6.4 (1/4")	9.5 (3/8")	12.7 (1/2")	9.5 (3/8")	12.7 (1/2")	15.9 (5/8")
Tubing Wall Thickness	3.2 mm (1/8")		4.8 mm (3/16")			
Flow range (10 ~ 600 rpm)	0.06 ~ 3.7	0.1 ~ 7.4	0.2 ~ 12	0.1 ~ 7.4	0.2 ~ 15.7	0.25 ~ 17.5

- High Accuracy
- Reasonable Price

JenieWell Precision Industrial Pump Drive System



FEATURES

- High reliability
- Flow rate 0.0005 ~ 2900 mL/min
- Compatibility various With Pump Drive
- Easy configuration tubing
- Accepts various tubing size
- Easily accessible stacked head

HOUSING

- Polyphenylene Sulfide (PPS)
- Good protection from corrosive liquids and vapors

Rotor

- 304 Stainless steel (SS) rotor and roller
- Good protection from corrosive liquids and vapors
- Number of rollers 3, 6

JenieLock SIMPLE PUMP HEAD

Rotor assembly



Three rollers
Standard using



Three rollers
Hi-pressure usin



Six rollers
Low pulse using



Stacking hardware

Pump head Mounting	Hardware No.
One	JPMH1
Two	JPMH3
Three	JPMH4
Four	JPMH4



High Accuracy

Reasonable Price

JenieLock SIMPLE PUMP HEAD

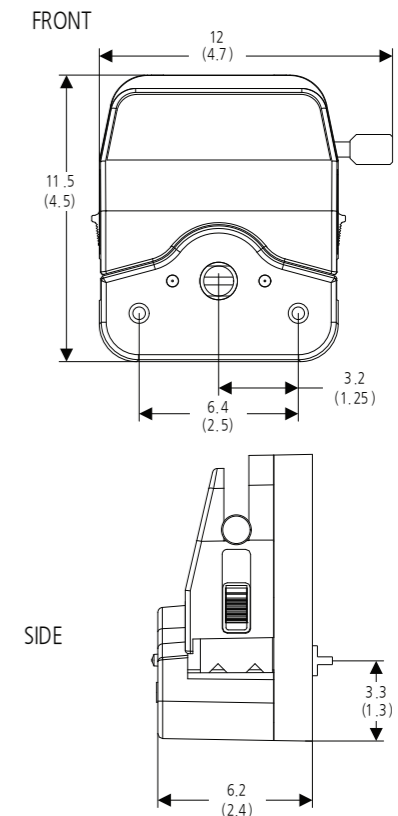
SPECIFICATION

Description	JP-100	JP-101	JP-200	JP-300	JP-301
Flow capacity	0.0005 ~ 2300mL/min				
MAX RPM	600				
Rollers	3	6	3	3	6
Maximum torque	13 kg-cm				
Housing materials	Polyphenylene sulfide (PPS)				
Rotor materials	Stainless steel with PPS				
Operating Temp	0 ~ 40°C				

Ordering Information

Model No.	Description
JP-100	Standard 1- channel 3-Rollers Simple Pump head
JP-101	Low Pulse 1- channel 6-Rollers Simple Pump head
JP-200	Hi-Flow rate 1-channel 3-Rollers Simple Pump head
JP-300	Standard 2- channel 3-Rollers Simple Pump head
JP-301	Low Pulse 2- channel 6-Rollers Simple Pump head

Dimension cm (inch)



TUBING & PUMPHEAD SELECT INFORMATION

Model No.	Number of rollers	Drive rpm	Tubing Size Inside diameter (Inch / No.)					
			1/32" (#13)	1/16" (#14)	1/8" (#16)	3/16" (#25)	1/4" (#17)	5/16" (#18)
Standard Pump head								
JP-100	3	0.01 ~ 600	0.0005 ~ 36	0.002 ~ 130	0.008 ~ 480	0.0165 ~ 1000	0.0285 ~ 1700	0.038 ~ 2300
		10 ~ 600	0.6 ~ 36	2.1 ~ 130	8 ~ 480	17 ~ 1000	28 ~ 1700	38 ~ 2300
		1.6 ~ 100	0.1 ~ 6	0.4 ~ 21	1.4 ~ 80	3 ~ 170	5 ~ 280	6 ~ 380
JP-101	6	0.01 ~ 600	0.0004 ~ 23	0.002 ~ 84	0.005 ~ 310	0.013 ~ 770	-	-
		10 ~ 600	0.4 ~ 23	1.4 ~ 84	5.2 ~ 310	12.9 ~ 770	-	-
		1.6 ~ 100	0.065 ~ 3.9	0.23 ~ 13.6	0.83 ~ 51	2.1 ~ 128	-	-
Two-Channel Pump head								
JP-300	3	0.01 ~ 600	0.0005 ~ 36	0.002 ~ 130	0.008 ~ 480	0.0165 ~ 1000	0.0285 ~ 1700	0.038 ~ 2300
		10 ~ 600	0.6 ~ 36	2.1 ~ 130	8 ~ 480	17 ~ 1000	28 ~ 1700	38 ~ 2300
		1.6 ~ 100	0.1 ~ 6	0.4 ~ 21	1.4 ~ 80	3 ~ 170	5 ~ 280	6 ~ 380
JP-301	6	0.01 ~ 600	0.0004 ~ 23	0.002 ~ 84	0.005 ~ 310	0.013 ~ 770	-	-
		10 ~ 600	0.4 ~ 23	1.4 ~ 84	5.2 ~ 310	12.9 ~ 770	-	-
		1.6 ~ 100	0.065 ~ 3.9	0.23 ~ 13.6	0.83 ~ 51	2.1 ~ 128	-	-
Hi-performance Pump head								
JP-200	3	0.01 ~ 600	0.0165 ~ 1000	0.0285 ~ 1700	0.038 ~ 2300	0.048 ~ 2900	-	-
		10 ~ 600	17 ~ 1000	28 ~ 1700	38 ~ 2300	48 ~ 2900	-	-
		1.6 ~ 100	3 ~ 170	5 ~ 280	6 ~ 380	8 ~ 480	-	-